



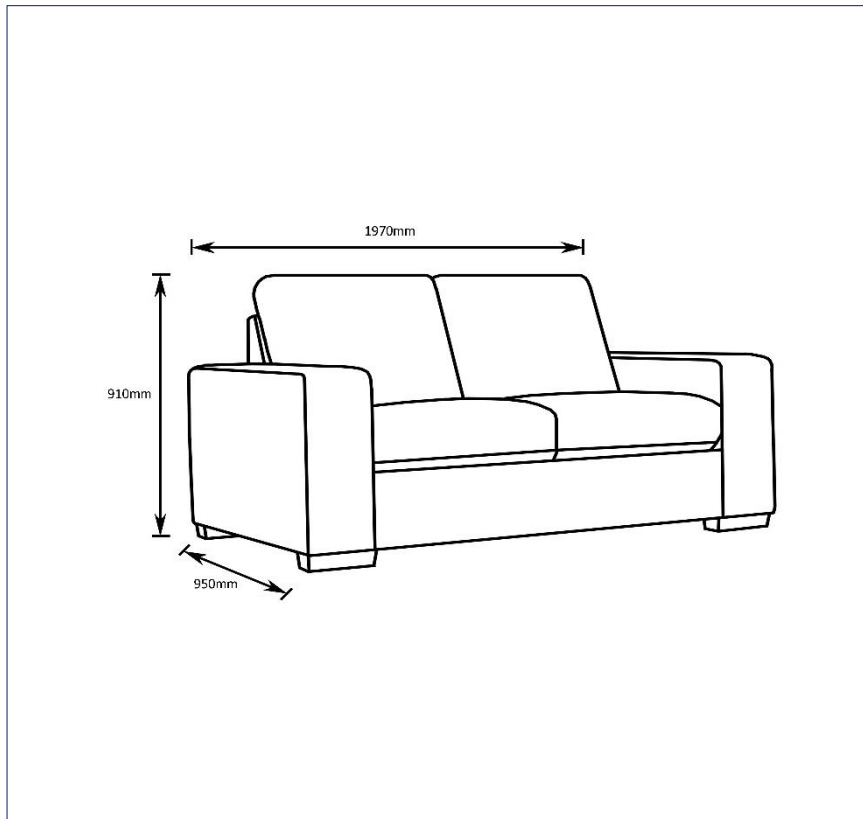
## ASSEMBLY INSTRUCTION

### DIAMOND SOFA BED

ITEM CODE 50953

Imported by Amart Furniture, Qld, Brisbane Australia.

For any assistance with assembly or for missing parts please phone Amart Furniture, Customer Service Free call 1800 351 084



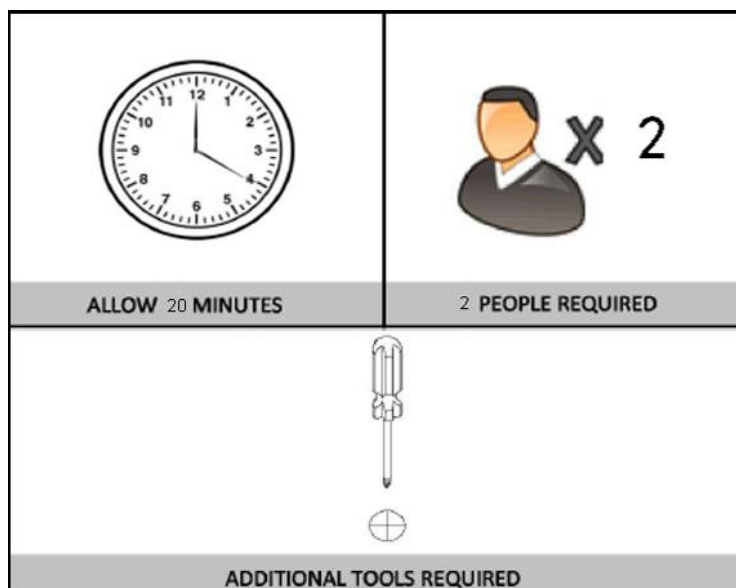
Imported by Amart Furniture Pty Ltd, Qld, Brisbane Australia.

For any assistance with assembly or for missing parts please phone Amart Furniture, Customer Service Free call 1800 351 084

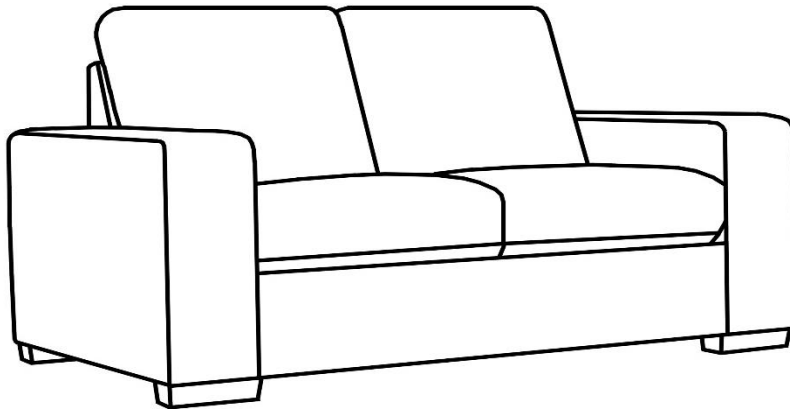
## PRE-ASSEMBLY PREPARATION

### Before you start:

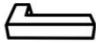

1. Choose a clean, level, spacious assembly area. Avoid hard surfaces that may damage the product
2. Take care when lifting. Product should be assembled as near as possible to the point of use
3. Ensure that you have all required contents for complete assembly
4. Always read the assembly instructions carefully before beginning assembly.
5. Keep all hardware parts and packaging out of reach of small children.
6. Do not over tighten the screws and bolts as this may damage the threads



# PARTS LIST



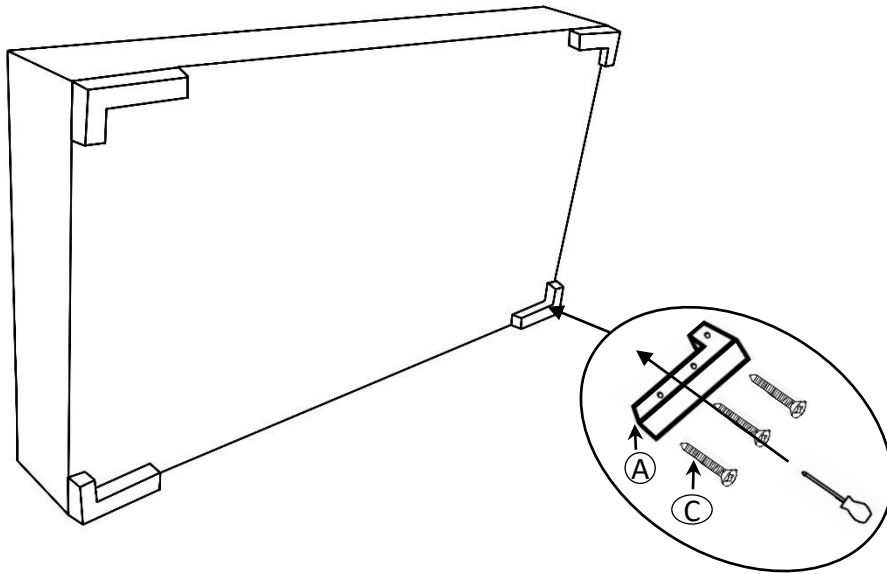
## Hardware

<i>HARDWARE LIST</i>			
NO.	DESCRIPTION		QTY
A	Inclined Sofa Legs		4 PCS
C	screw		12 PCS

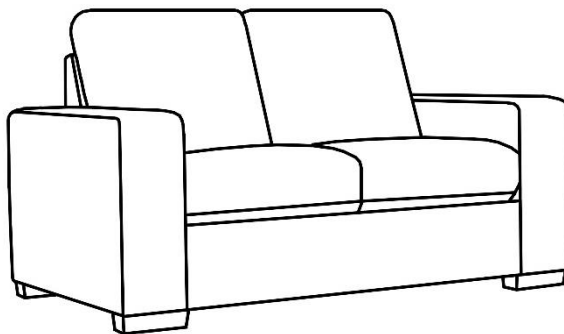
PLEASE TAKE NOTE:  
PIECES REQUIRE FOR ASSEMBLY ARE LOCATED INSIDE THE DUST  
COVER UNDERNEATH SOFA

## Step 1

DETAILS - Align base plate of each foot (A) with the pre-threaded holes in the undersides of the sofa as shown in the below diagram.



## Step 2 ASSEMBLY COMPLETED



**IMPORTANT:**

**PLEASE ENSURE FEET ARE TIGHTENED SECURELY BEFORE USE!**

# CARE LABEL

## PU CARE

WHEN NECESSARY BRUSH OR VACUUM AWAY DUST AND GRIT. WIPE OVER WITH A SOFT, CLEAN, DYEFAST CLOTH.

**FOR SPOTS AND SPILLS:**

WIPE EXCESS LIQUID UP IMMEDIATELY WITH AN ABSORBENT CLOTH OR SPONGE.

**NOTES:**

ACCUMULATION OF PERSPIRATION AND BODY OILS ON ARMPADS, HEADREST ETC. MAY

DAMAGE YOUR PU - THESE AREAS MAY REQUIRE MORE FREQUENT CLEANING.

DO NOT EXPOSE PU TO DIRECT SUNLIGHT; INTENSIVE HEAT; WEATHER; OR SOAK UNNECESSARILY. ALWAYS AVOID EXCESSIVE HARD RUBBING.

DO NOT DRY CLEAN OR MACHINE WASH.

DO NOT USE SADDLE SOAP; DETERGENTS; SOLVENTS; ABRASIVES; UNIDENTIFIED PU CLEANERS; SUEDE CLEANERS OR ANY PRODUCTS CONTAINING SILICON OR SOLVENTS.